

MS-1

Scan Engine



Compact Shape/Size

ACTUAL SIZE SHOWN

Height: 0.45" (11.5 mm)

Width: 1.26" (32 mm)

Length: 0.94" (24 mm)



MS-1: At a Glance

- Scans/second: up to 530
- Read Range: 1.0 to 13.0" (25 to 330 mm)
- USB, RS-232 Interface Options
- Low 5V Power Draw



ESP® Easy Setup Program: Single-point software provides quick and easy setup and configuration of all Microscan readers.

For more information on this product, visit www.microscan.com.

The MS-1 is one of the smallest and lightest fully decoded scan engines in its class. Featuring small size and reliable performance with minimal budget impact, it offers embedded power management, a bi-directional serial link for dynamic configuration, and both a low and high density version.

The MS-1 is the ideal scan engine for OEM design engineers seeking a dependable and inexpensive embedded bar code scanning solution.

Compact & Lightweight

MS-1 has a footprint of 1.26" (32 mm) by 0.95" (24 mm), and is 0.44" (11 mm) tall. The engine weighs less than 0.3 ounces (8.4 g) for easy mounting onto robotic equipment or into tight spaces.

Reading Capabilities

The MS-1 engine can easily read the most difficult codes, and excels at reading on highly reflective surfaces.

Easy Setup

ESP software provides easy configuration of the MS-1, including selectable trigger and symbology setting.

Flexible Communication

MS-1 is available in two interface options: USB or RS-232.

Application Examples

- Kiosks
- Point-of-sale terminals
- Bank ATMs
- Robotics
- Clinical instruments

MS-1: Available Codes

Linear

All Standard



Stacked

PDF417

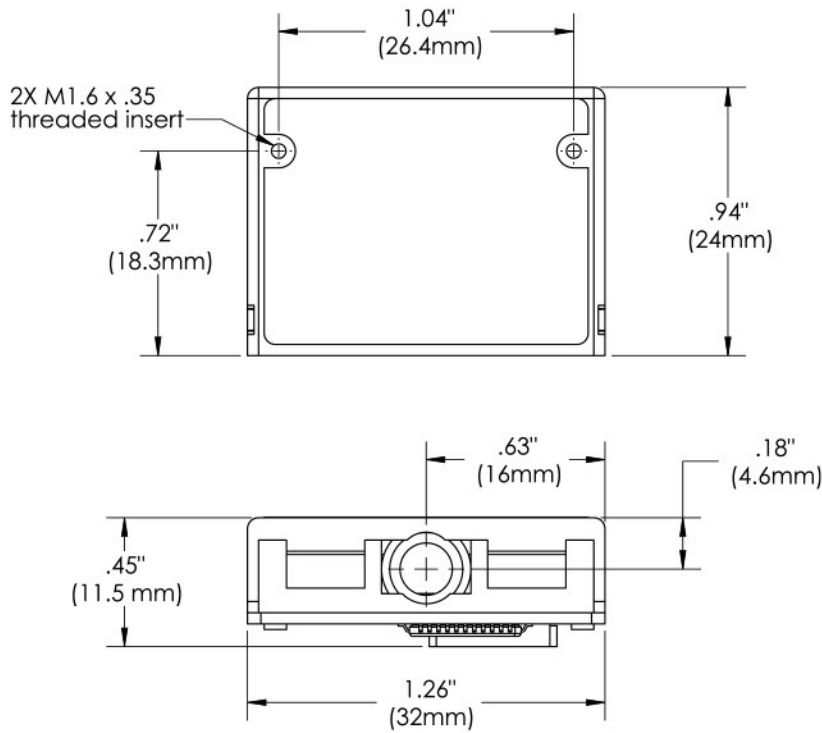


GS1 Databar



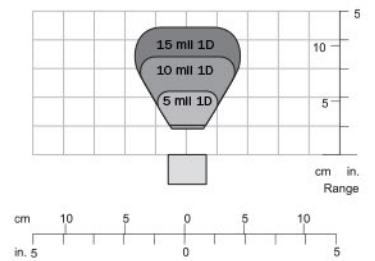
MICROSCAN®

MS-1 SCAN ENGINE SPECIFICATIONS AND OPTIONS

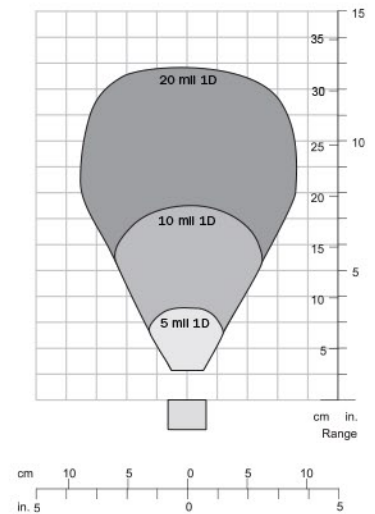


Note: Nominal dimensions shown. Typical tolerances apply.

HIGH DENSITY FIELDS OF VIEW



LOW DENSITY FIELDS OF VIEW



MECHANICAL

Height: 0.45" (11.5 mm)
Width: 1.26" (32 mm)
Length: 0.94" (24 mm)
Weight: 0.3 oz. (8.4 g)

DESIGN

Flash Memory Sensor:
 CCD linear image sensor
Optics: 660 nm visible LED
 Bright and sharp scanning line

SCANNING PERFORMANCE

Scan Rate: Up to 530 per second
Decode Rate: Up to 55 per second
Min. X Dimension: Down to 3.3 mil (0.084 mm) on Code 39
Depth of Field: 1.0 to 13" (25 to 330 mm)
Barcode Width: Up to 7" (178 mm) on 20 mil (0.5 mm) resolution code

COMMUNICATION

Interface: RS-232 TTL, USB 1.1 (keyboard mode)

SYMBOLOGIES

UPC (E&A), EAN, Code 39, Code 128, UCC EAN 128, I 2 of 5 (Interleaved, Industrial and Standard), Codabar, Code 93, Plessey, GS1 Databar, PDF417, China Postal Code

ENVIRONMENTAL CHARACTERISTICS

Operating Temperature: -20 to 50° C (-4 to 122° F)
Storage Temperature: -30 to 60° C (-22 to 140° F)
Relative Humidity: 20% to 85% (non-condensing)
Ambient Light: Works in any lighting conditions, from 0 to 70,000 lux
Shock: 2000G
Vibration: 50G r.m.s

PIN ASSIGNMENTS

12-Pin ZIF Connector

Pin No.	Decoded Operation	In/Out
1	+5 Power VCC	In
2	TTL_RXD	In
3	Trigger input	In
4	Power enable	In
5	TTL_TXD	Out
6	TTL_RTS	Out
7	Ground	
8	USB_D+	In/Out
9	LED (Engine Status)	Out
10	TTL_CTS	In
11	Buzzer (Decode Indicator)	Out
12	USB_D-	In/Out

CONNECTOR

Type: 12-pin ZIF connector

CE MARK

Immunity Designed For:
 EN 55024:98 ITE Immunity Standard
Radiated and Conducted Emissions Designed For:
 EN 55022:98 ITE Disturbances Class B

ELECTRICAL

Power: 5V +/-5%, 300 mV/V p-p max ripple, 120 mA @ 5 VDC (typ.)
Start Up Time: 175 ms



READ RANGES

Narrow-Bar	Read Range	Scan Width
HIGH DENSITY		
.005" (.127 mm)	0.6 to 2.1" (15 to 53 mm)	2.2" (56 mm) @ 1.6" (41 mm)
.010" (.254 mm)	0.6 to 4.1" (15 to 104 mm)	4.3" (109 mm) @ 3.2" (81 mm)
.015" (.38 mm)	0.6 to 5.1" (15 to 130 mm)	5.0" (127 mm) @ 4.5" (114 mm)
LOW DENSITY		
.005" (.127 mm)	1.8 to 3.6" (46 to 91 mm)	2.2" (56 mm) @ 3" (76 mm)
.010" (.254 mm)	1.8 to 7.0" (46 to 178 mm)	3.9" (99 mm) @ 6" (152 mm)
.020" (.508 mm)	1.8 to 12.6" (46 to 320 mm)	6.7" (170 mm) @ 11" (279 mm)

SAFETY CERTIFICATIONS DESIGNED FOR

FCC, CE

ROHS/WEEE COMPLIANT

ISO CERTIFICATION

Certified ISO 9001:2008 Quality Management System

©2015 Microscan Systems, Inc. SP015L-EN-1013

Read Range and other performance data is determined using high quality Grade A symbols per ISO/IEC 15415 and ISO/IEC 15416 in a 25° C environment. For application-specific Read Range results, testing should be performed with symbols used in the actual application. Microscan Applications Engineering is available to assist with evaluations. Results may vary depending on symbol quality. **Warranty**—For current warranty information on this product, please visit www.microscan.com/warranty.



DARTRONICS, INC.

PACKAGING AUTOMATION SPECIALISTS



150 WILLIAM ST. PERTH AMBOY, NJ 08861 / TOLL FREE: 800-298-8936 / PHONE: 732-324-0800 / FAX: 732-324-4488

WWW.DARTRONICS.COM

YOUTUBE / DARTRONICS

THE SINGLE SOURCE FOR YOUR

END-OF-LINE

PACKAGING, MARKING AND CODING NEEDS