

# MS-CONNECT 210

## Connectivity Solution with Ethernet



The MS-Connect 210 simplifies connectivity of Microscan readers in industrial applications. This factory floor ready wiring box features a vivid display, convenient access holes for easy wire routing, and multiple connectivity options including Ethernet protocols.

The MS-Connect 210 is the ideal Microscan reader accessory for any users seeking an easy connectivity option.

### MS-Connect 210: Easy Integration

- For fast installation and easy maintenance of any Microscan scanner or imager
- IP65 rated industrial design
- Better organization of cables and wiring on factory floor
- Protocol conversion allows connection via Ethernet

Simple Connectivity Solution for:



Microscan laser barcode scanners



Microscan 2D barcode imagers

For more information on this product, visit [www.microscan.com](http://www.microscan.com).

#### Ethernet Connectivity

Connect to a host using serial or Ethernet connection. Ethernet TCP/IP and EtherNet/IP protocols are available out of the box.

#### Informative Display

Providing two lines of decoded information, the optional display is ultra-bright and easy to read.

#### I/O Indicators

The front panel on the MS-Connect 210 provides visual confirmation of performance. Multiple colors are used for easy recognition.

#### Relay Modules

The MS-Connect 210 includes slots for optional relay modules to allow for greater use of external devices including light stacks.

#### Practical Design

Four access holes located on the box allow users quick, easy, and clean wiring of inputs and outputs. Mounting is simplified with four accessible through-holes for mounting screws. An optional plate is available for easy DIN rail mounting.

#### Clear Wiring Path

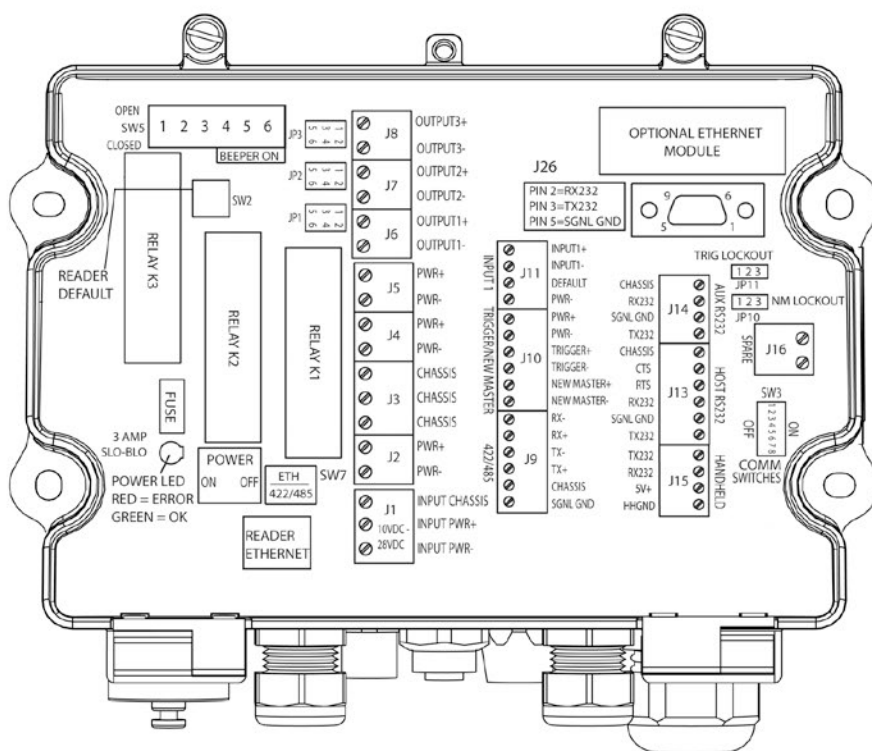
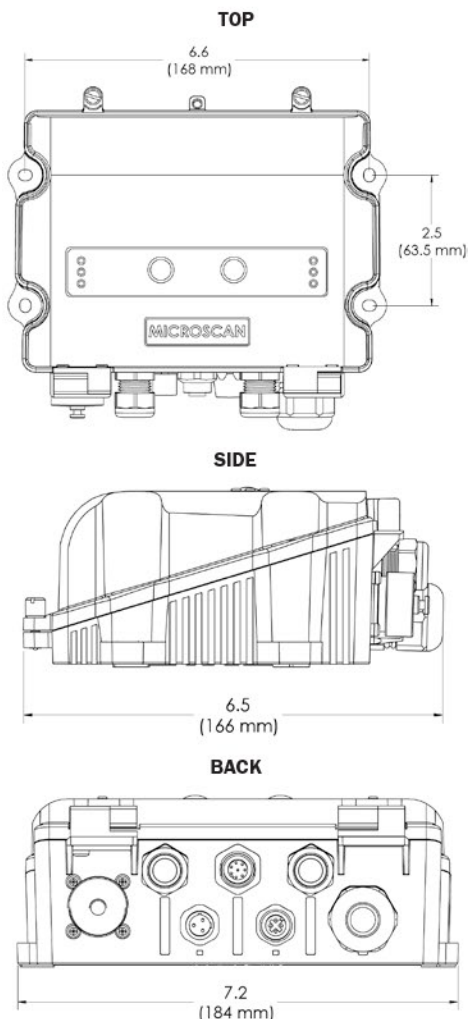
Wiring to the appropriate terminal block is easily accomplished, due to the access holes and a clear area located between the terminal rows.

#### Additional Power

The MS-Connect 210 includes the option to power three additional readers.

# MS-CONNECT 210 SPECIFICATIONS AND OPTIONS

## MS-CONNECT 210 INTERNAL VIEW



### MECHANICAL

Length: 7.3" (184 mm) Width: 6.3" (160 mm)  
Height: 2.8" (71 mm) Weight: 1.6 lb. (726 g)

### ENVIRONMENTAL

Enclosure: IP65  
Humidity: up to 90% (non-condensing)  
Operating Temperature: 0° to 50° C (32° to 122°F)  
Storage Temperature: -30° to 70° C (-22° to 158°F)

### ELECTRICAL

Power: 10-28 V

### PLUGGABLE RELAY MODULE

K1	Pluggable Relay Module
K2	Pluggable Relay Module
K3	Pluggable Relay Module

### INPUTS/OUTPUTS

J1	Input Power 10-28 VDC
J2	Output Power 10-28 VDC
J3	Chassis
J4	Output Power 10-28 VDC
J5	Output Power 10-28 VDC
J6	Output 1
J7	Output 2
J8	Output 3
J9	RS 422/485
J10	Trigger/New Master
J11	Input 1
J13	Host RS-232
J14	Aux RS 232
J15	MS-Q 5 VDC
J16	Spare

### CE MARK

General Immunity for Heavy Industry:  
EN 55024: 1998 ITE Immunity Standard  
EN 61000-6-2:2001

### EMISSIONS

EN 55022:1998 Class A

### INDICATORS

Digital Display: 2X20 Alphanumeric characters  
Beeper: Configurable LEDs: I/O status, Serial

### TERMINAL BLOCKS MAX RATING

J1-J8 Wire Range: 26 to 14 AWG.  
Wire Strip Length: 11 mm  
J9-J15 Wire Range: 22 to 18 AWG.  
Wire Strip Length: 5 mm  
J2-J5 Max Voltage: 28 VDC. Max Current: 4 Amps  
J6-J8 Max Voltage: 240 VAC. Max Current: 3 Amps

### COMMUNICATION PROTOCOLS

Standard Interface: RS-232, RS-422

### ACCESS CGB

Small: Access diameter range 0.18" to 0.39"  
(4.5 to 10 mm)  
Large: Access diameter range 0.2" to 0.5"  
(5 to 12.7 mm)

### JUMPERS

JP1	Relay Output 1 Options
JP2	Relay Output 2 Options
JP3	Relay Output 3 Options
JP 11	Trigger Button Lockout
JP 10	New Master Button Lockout

### SWITCHES

SW1	On/Off
SW2	Reader Default
SW3	Display Comm Switches
SW5	Reader Output Indicators
SW7	Reader Ethernet Option

### CONNECTORS

Reader: M23 19-pin circular socket connector  
Trigger: 4-pin MicroChange socket  
Power: 3-pin MicroChange plug

### OTHER ACCESSORIES

Type: DIN rail kit, Relay modules  
Industrial Ethernet Connector: 8-pin M12 MicroChange socket

### SAFETY CERTIFICATIONS DESIGNED FOR

FCC, UL/cUL, CE, BSMI

### ROHS/WEEE COMPLIANT

### ISO CERTIFICATION

Certified ISO 9001:2008 Quality Management System

©2015 Microscan Systems, Inc. SP022H-EN-1013

Warranty—For current warranty information on this product, please visit [www.microscan.com/warranty](http://www.microscan.com/warranty).



**DARTRONICS, INC.**

PACKAGING AUTOMATION SPECIALISTS



150 WILLIAM ST. PERTH AMBOY, NJ 08861 / TOLL FREE: 800-298-8936 / PHONE: 732-324-0800 / FAX: 732-324-4488

[WWW.DARTRONICS.COM](http://WWW.DARTRONICS.COM)

YOUTUBE / DARTRONICS

THE SINGLE SOURCE FOR YOUR

END-OF-LINE

PACKAGING, MARKING AND CODING NEEDS